



# REMOTE DISPLAY & CONTROL FOR CRE TECHNOLOGY COMPACT MODULES

## ZOHO ASSIST MOBILE APPLICATION



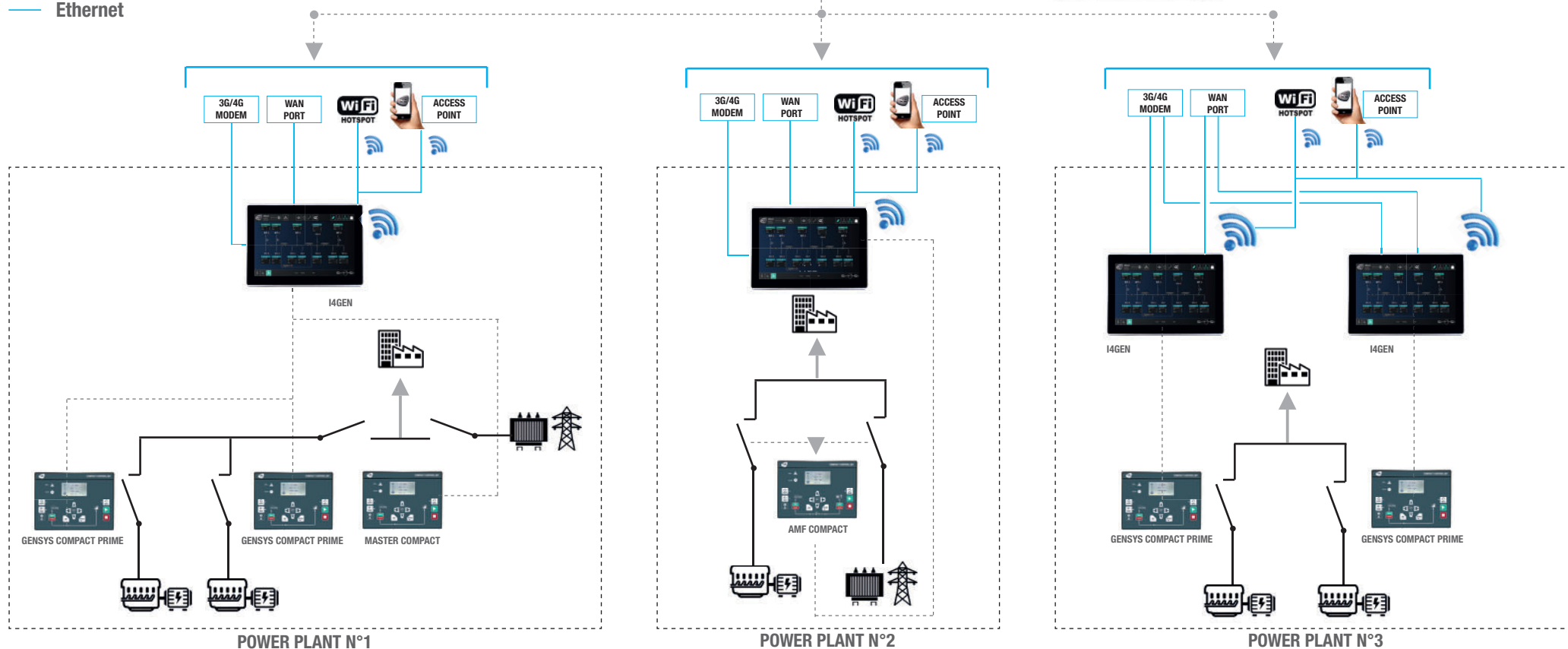
- Up to 10,000 power plants with one Zoho Assist account
- Full power plant supervision
- Full power plant control
- EMAIL reception on events, alarms and default



## ZOHO ASSIST PC APPLICATION



Ethernet



If you would like to remotely access our 24/7 demo controller to evaluate our remote management tool, do the following:

- Login to <https://assist.zoho.com> or use the Zoho Assit smartphone application
- Log in with the email address **remote-i4gen@cretechnology.com** and the password **!demo4i4Gen!**
- Use the **"Unattended Access"** and log in to **"i4Gen demo"**.

You will get access to a generator application and a network in simulation mode. You can start/stop the generator, perform a fleeting or permanent network coupling, a normal/backup transfer,... To access the product configuration, the level 2 authentication password is **"1234"**.